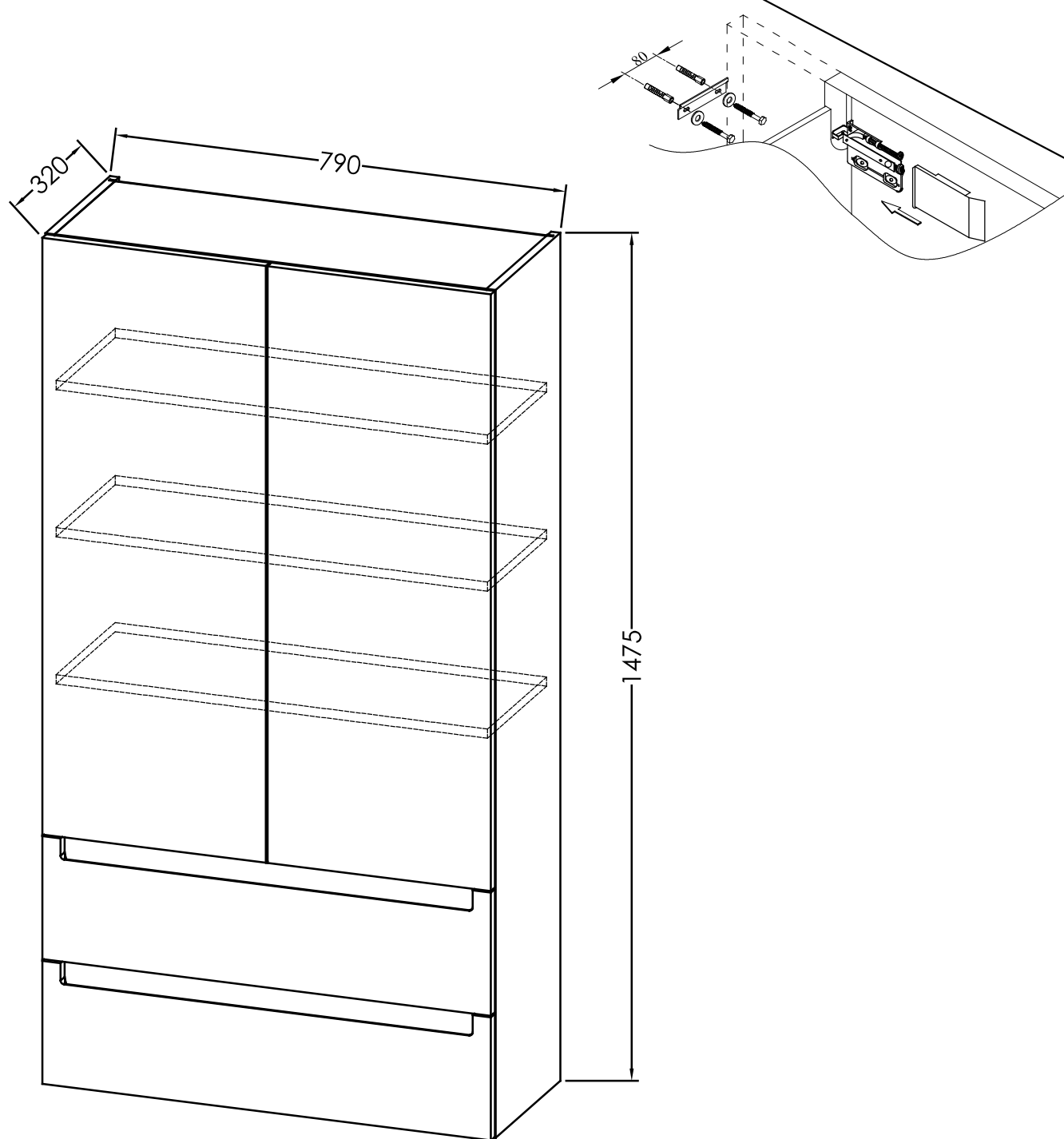


kolpa·san[®]
by KOLPA



V 1481/790 WH
V 1481/790 BEIGE
V 1481/790 DG

VITTORIA
V 1481/790